

SV 150/30/50C-100

X-ray Tube Assembly

Data Sheet

Description

This compact X-ray tube assembly was developed for use in radiography and fluoroscopy systems.

With its small focal spots and large field of view it allows for superior image quality in undertable fluoroscopy applications.

Features and customer benefits

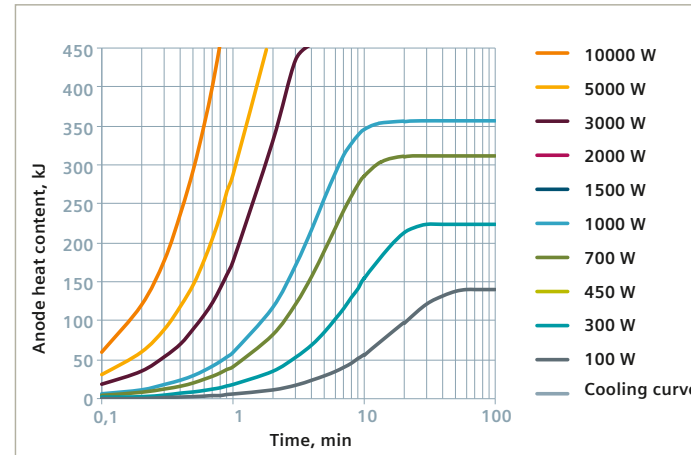
- 600 kWh anode heat storage capacity for efficient X-ray examinations
- Focal spots of IEC 0.6 and IEC 1.0 allow excellent image quality
- Large field of view thanks to 16° anode angle
- High long-term dose yield
- Excellent quality and reliability

Technical Data			
Nominal voltage	150 kV		IEC 60613 (2010)
Nominal voltage Fluoroscopy	110 kV		
Nominal focal spot values	0.6	1.0	IEC 60336
Nominal anode input power (150 Hz / 180 Hz)	30 kW	50 kW	IEC 60613 (1989) (at 300 W average anode input power)
Nominal radiographic anode input power	34 kW	55 kW	IEC 60613 (2010)
Filament Heating	maximum current	5.1 A	AC < 50 kHz
	maximum voltage	≈ 10.2 V	
Anode Angle	16°		
Anode heat storage capacity	450 kJ = 600 kWh		IEC 60613 (1989)
Anode drive frequencies for	exposure fluoro	150 / 180 Hz	
		(50 ± 5) Hz	
Heat storage capacity of assembly	1.800 MJ = 2.430 MHU		IEC 60613
Nominal continuous input power (without / with fan)	300 W / 450 W		IEC 60613 (2010) (at ambient temperature < 25 °C)
Radiation Leakage	≤ 0.8 mGy/h		IEC 60601-1-3 (at 150 kV, 450 W, 1 m distance)
Inherent filtration	permanent filtration: 1.5 mm Al / 75 kV additional filtration: 2 x 0.5 mm (= 1 mm) Al		IEC 60522, IEC 60601-1-3 (at 75 kV)
Weight	≈ 27 kg		

SV 150/30/50C-100 X-ray Tube Assembly

Heating and cooling curves

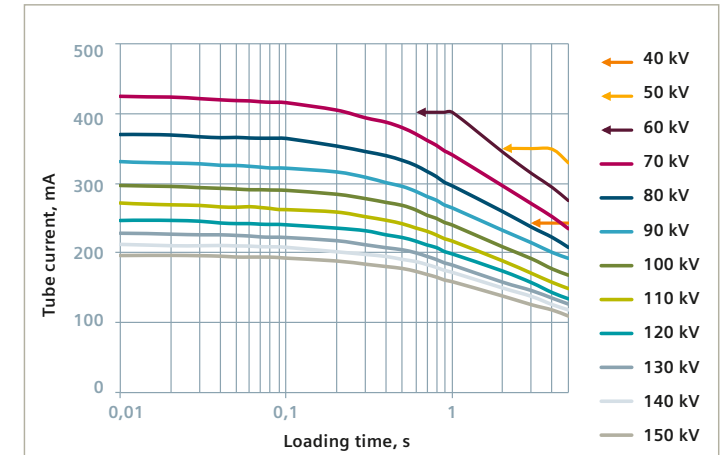
Anode



According to IEC 60613 (1989)

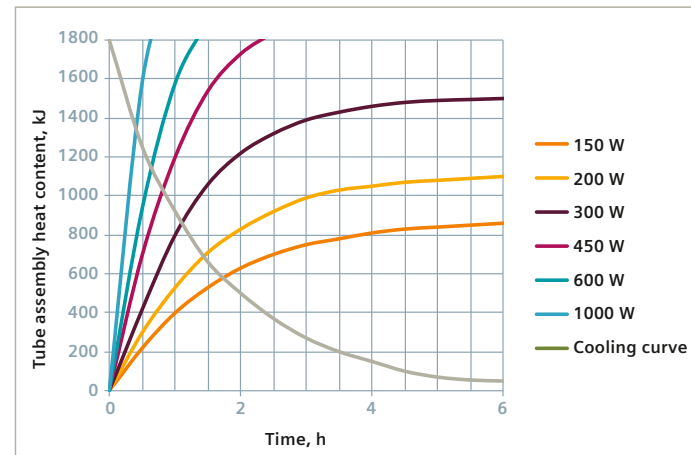
Rating charts

Focal spot IEC 0.6



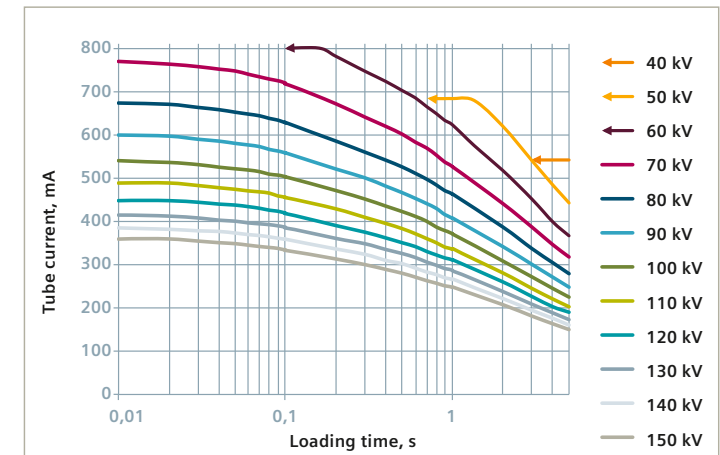
According to IEC 60613 (1989)
Anode drive 60 Hz
Thermal anode reference power 300 W

X-ray tube assembly (without fan)



According to IEC 60613 (1989)

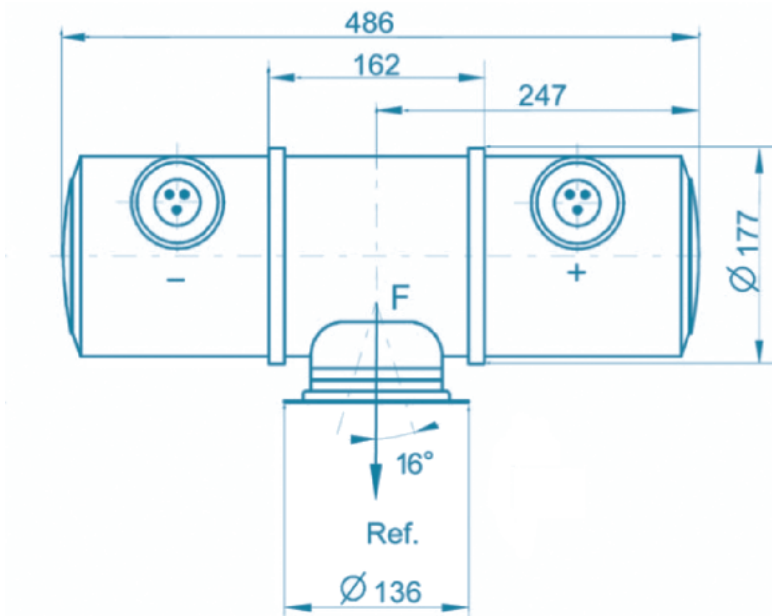
Focal spot IEC 1.0



According to IEC 60613 (1989)
Anode drive 60 Hz
Thermal anode reference power 300 W



Dimensional drawings



¹Tolerance + 2.0 / - 0.5

F = Focus position

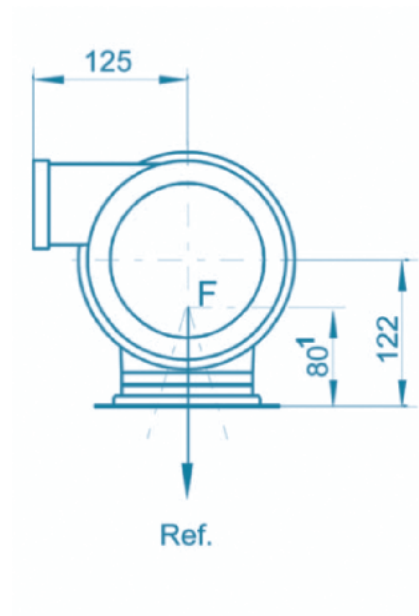
Ref. = Reference axis

Dimensions are given in mm

Trunnion rings, high-voltage cables, stator cables with shielding and safety switch cables are optionally available.

Types and material numbers

	3-phase drive	1-phase drive
Designation	SV 150/30/50 C-100	SV 150/30/50 C-100 L
Mat.-No.	4802729	4803255



F = Focus position

Ref. = Reference axis

Dimensions are given in mm

Creating values
is our passion.

Efficiency
is our nature.

Partnership
is our way.

This document is not considered to be a contractual specification. Kindly contact Siemens Healthcare GmbH prior to using this information for equipment design.

These components and configurations are not finished medical devices. Compliance with all laws and regulations that are applicable to finished medical devices are the responsibility of the manufacturer of the finished medical device.

The information in this document contains general descriptions of the technical options available, which do not always have to be present in individual cases. The required features should therefore be specified in each individual case at the time of closing the contract.

The components are labeled as "Manufactured by Siemens". However, the buyer shall not market the components using the "Siemens" brand name and/or trademark. The buyer may integrate

these components into a system using its own brands and labels. The product names and/or brands referred to are the property of their respective trademark holders.

This document shall not be made available to healthcare professionals or to the general public.

The Siemens Healthcare Business Line Components and Vacuum Technology is ISO 9001 and ISO 13485 certified, manufactures in accordance with the Quality System Regulations (QSR) as defined by the U.S. Food and Drug Administration (FDA), and endeavors to comply with legal requirements concerning the environmental compatibility of its products.

The reproduction, transmission or use of this document or its contents is not permitted without express written consent. Offenders will be liable for damages.

Siemens reserves the right to modify the design and specifications contained herein without prior notice. All rights reserved, particularly in connection with patent applications or registrations of utility model or design.

Local Contact Information

Siemens Healthcare GmbH
Components and Vacuum Technology
Doris-Ruppenstein-Str. 4
91052 Erlangen
Germany
Phone: +49 9131 84-6911
siemens.com/oemproducts

Publisher for USA

Siemens Medical Solutions USA, Inc.
40 Liberty Boulevard
Malvern, PA 19355
United States of America

Siemens Healthcare Headquarters

Siemens Healthcare GmbH
Henkestr. 127
91052 Erlangen
Germany
Phone: +49 9131 84-0
siemens.com/healthcare

Legal Manufacturer

Siemens X-ray Vacuum Technology Ltd., Wuxi
No. 112, Meiyu Road
214028 Wuxi, Jiangsu
P.R. China