

P 135

Rotating Anode X-ray Tubes

Data Sheet

Description

The P 135 are rotating anode X-ray tubes for diagnostic applications in conventional or digital radiography systems.

They can be used in X-ray tube assemblies as well as in monoblocks.

Two types are available:

P 135/20 with a maximum nominal power of 24 kW and P 135/30R with a maximum nominal power of 34 kW.

Technical Data					
Product name	P 135/20		P 135/30R		
Siemens part number	10664315		01158815		
Nominal voltage	135 kV				(IEC 60613:1989, IEC 60613:2010)
Nominal voltage for fluoroscopy	125 kV				
Nominal focal spot value	0.8				(IEC 60336:2005)
Nominal anode speed in rpm	4200	3000	9000	3000	
Nominal anode input power (0.1 s / 75 W) ¹	20 kW	17 kW	28 kW	17 kW	(IEC 60613:1989, IEC 60613:2010)
Nominal anode input power (0.1 s / 0 W) ¹	24 kW	21 kW	34 kW	21 kW	
Nominal radiographic anode input power	22 kW	19 kW	30 kW	19 kW	(IEC 60613:2010)
Filament heating					AC < 50 kHz
	maximum current	5.3 A			
	maximum voltage	11.0 VAC			
Anode angle	15°				IEC 60788:2004
Anode material	RT-TZM (Tungsten / Rhenium on a Molybdenum-Zirkonium-Titanium-alloy)				
Anode diameter	60 mm / 2.36"				
Anode heat storage capacity	88 kJ / 124 kWh				(IEC 60613:1989)
Continuous anode input power	450 W				(IEC 60613:2010)
Radiation field at focus to film distance	37 cm at 70 cm 53 cm at 100 cm				
Minimum inherent filtration equiv.	0.7 mm Al / 75 kV				(IEC 60601-1-3:2008)
Weight	≈ 1.2 kg		≈ 1.3 kg		
Max. permissible oil temperature	75°C				

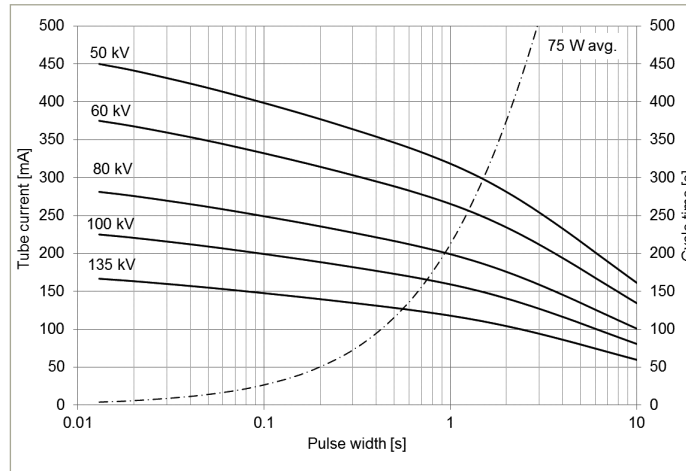
¹At 0.1 s pulse width and 75 W resp. 0 W average anode input power

P 135/20 Rotating Anode Tube

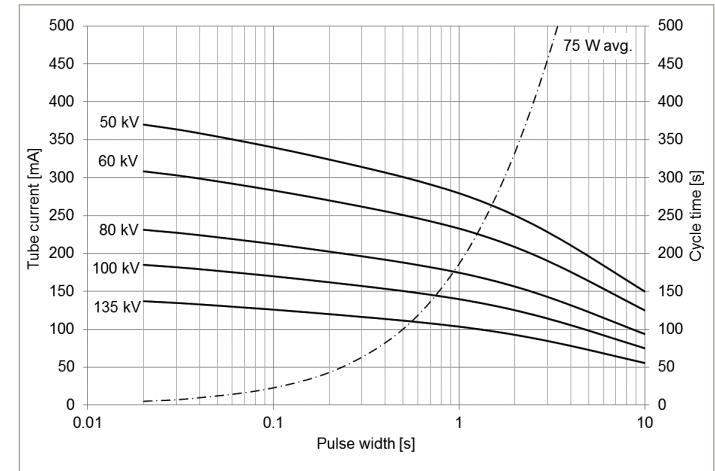
24 kW – 4200 rpm



P 135/20 DC single load ratings at 4200 rpm



P 135/20 DC single load ratings at 3000 rpm

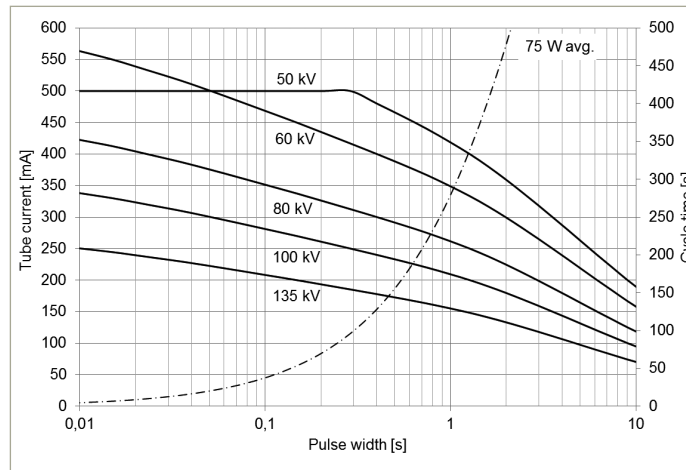


P 135/30R Rotating Anode Tube

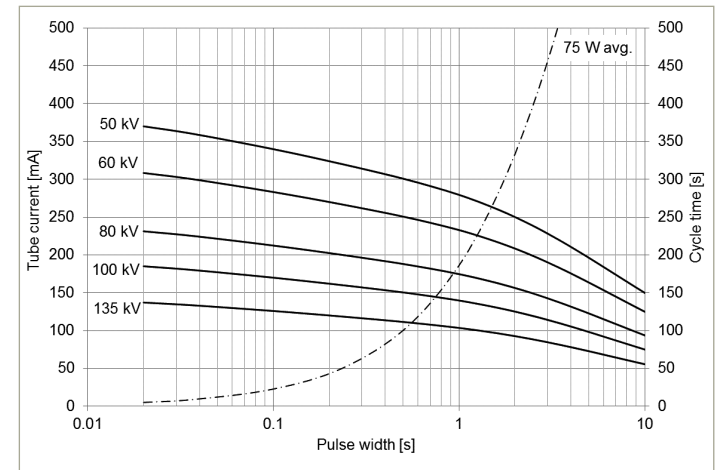
34 kW – 9000 rpm



P 135/30R DC single load ratings at 9000 rpm



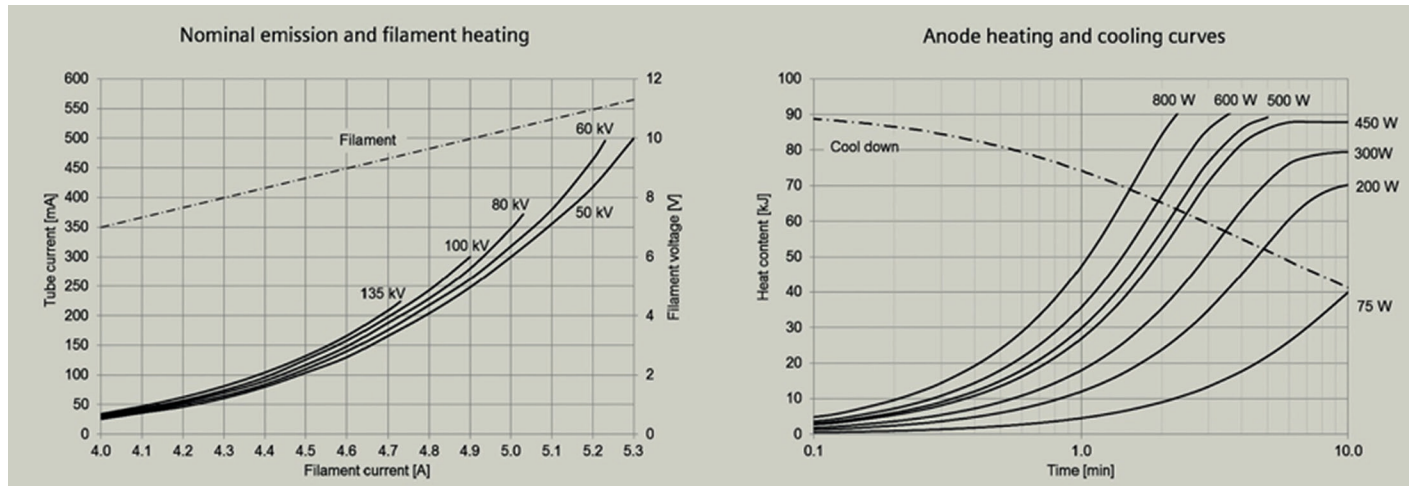
P 135/30R DC single load ratings at 3000 rpm



Creating values
is our passion.

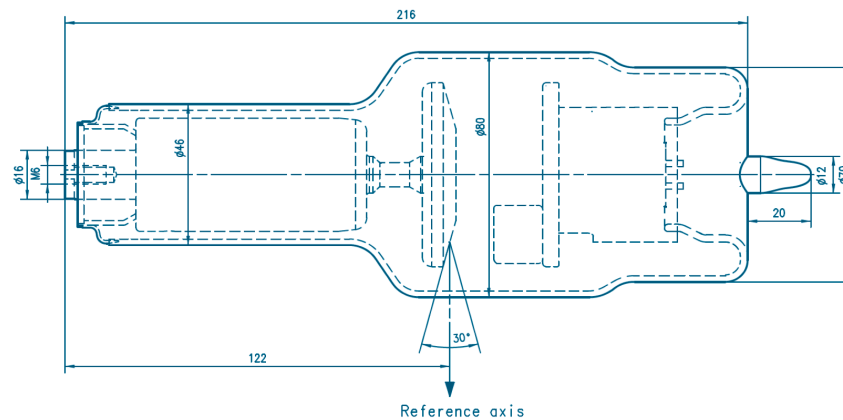
Efficiency
is our nature.

Partnership
is our way.

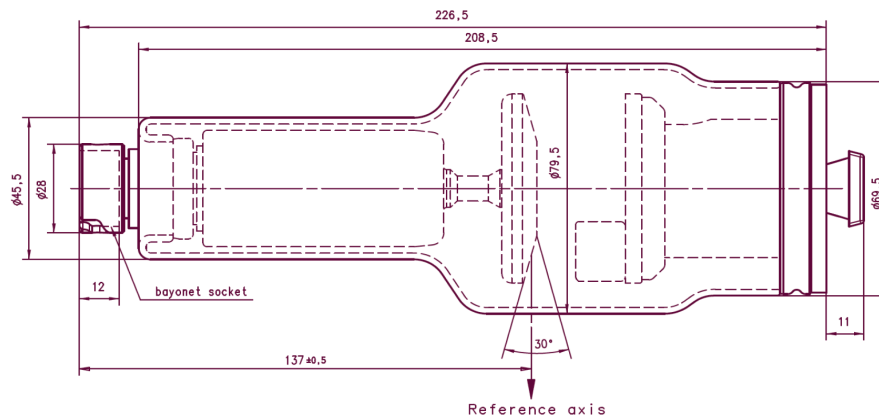


Dimensions Drawings in mm

P 135/20



P 135/30R



Company information

The business unit Components & Vacuum Technology of Siemens Healthcare is a major manufacturer of components for medical and industrial applications, supplying most divisions of Siemens Healthcare and a large number of OEM partners worldwide.

This document is not considered to be a contractual specification. Kindly contact Siemens Healthcare GmbH prior to using this information for equipment design.

These components and configurations are not finished medical devices. Compliance with all laws and regulations that are applicable to finished medical devices are the responsibility of the assembler/ manufacturer of the finished medical device.

The information in this document contains general descriptions of the technical options available, which do not always have to be present in individual cases. The required features should therefore be specified in each individual case at the time of closing the contract.

The components are labeled as "Manufactured by Siemens". However, the buyer shall not market the components using the "Siemens" brand name and/or trademark. The buyer may integrate

these components into a system using its own brands and labels. The product names and/or brands referred to are the property of their respective trademark holders.

This document shall not be made available to healthcare professionals or to the general public.

The Siemens Healthcare Business Unit Components & Vacuum Technology is ISO 9001 and ISO 13485 certified, manufactures in accordance with the Quality System Regulations (QSR) as defined by the U.S. Food and Drug Administration (FDA) and endeavors to comply with legal requirements concerning the environmental compatibility of its products.

The reproduction, transmission or use of this document or its contents is not permitted without express written consent. Offenders will be liable for damages.

Siemens reserves the right to modify the design and specifications contained herein without prior notice. All rights reserved, particularly in connection with patent applications or registrations of utility model or design.

Local Contact Information

Siemens Healthcare GmbH
Components & Vacuum Technology
Doris-Ruppenstein-Str. 4
91052 Erlangen
Germany
Phone: +49 9131 84-6911
siemens.com/oemproducts

Siemens Healthcare Headquarters

Siemens Healthcare GmbH
Henkestr. 127
91052 Erlangen
Germany
Phone: +49 9131 84-0
siemens.com/healthcare

Legal Manufacturer

Siemens Healthcare GmbH
Henkestr. 127
91052 Erlangen
Germany