

Ceiling Stands

Data Sheet

Description

The 3D V overhead supports feature a modular design so that you can tailor the configuration to your customer's diagnostic needs:

- Lungs, skeletal system, trauma
- Emergency room
- Orthopedic applications

Features and customer benefits

- Prepared for tilting technique for long-leg and full-spine stitching
- Smooth and accurate patient positioning
- Integrated service functions for ease of service
- Robust and reliable

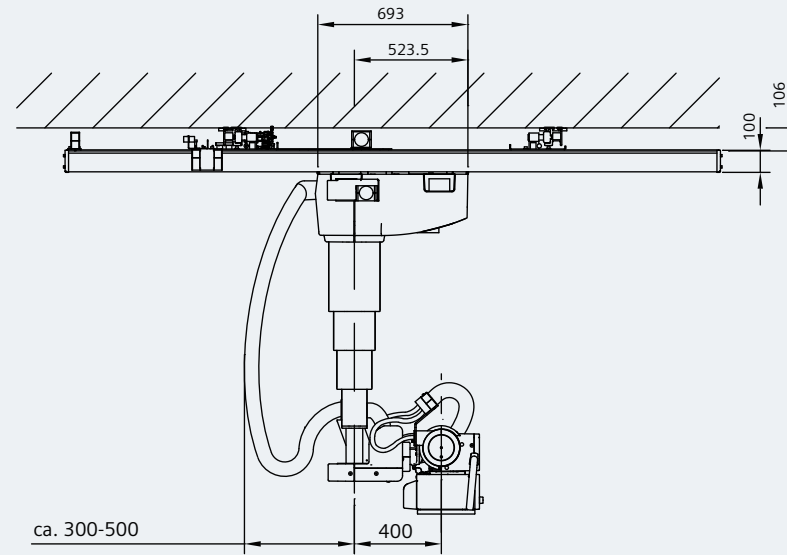
Technical Data	
Minimum focus-ceiling distance	830 mm
Vertical telescope travel range	1800 mm
Longitudinal travel range	3500 mm (5645 mm) ¹
Detent positions	Configurable during installation
Transverse travel range	2150 mm (3500 mm) ¹
Detent positions	Configurable during installation
Length of transverse track	3030 mm (4380 mm) ¹
Tube rotation range, horizontal axis	-120° / +120° (-140° / +140°) ²
Detent positions at	-90°; 0°; +90°
Tube rotation range, vertical axis	-154° / +182°
Detent positions at	-90°; 0°; +90°; +180°
Front touch user interface	SID
	Horizontal tube rotation angle
	Generator control ³

¹ Optional

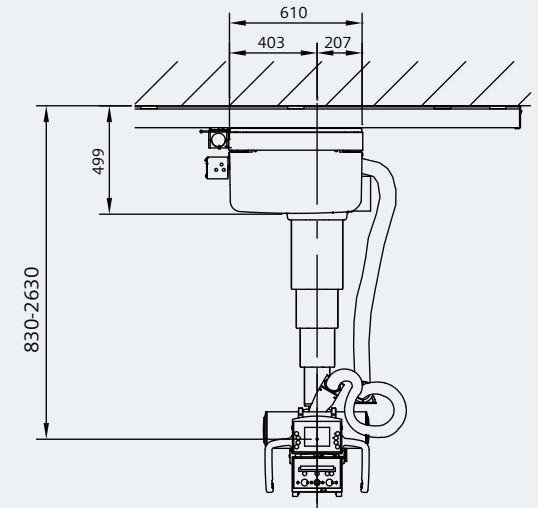
² ACSS TT only

³ With Polydoros RF

Dimensional drawings



Dimensions are given in mm





The versatile 3D V family has been designed with the objective of providing a cost-optimized product for radiography. The ergonomic product design is engineered to fulfill customer requirements for optimized handling that provides all radiographic features.

Together with a Bucky table and a Bucky wall stand, all relevant radiographic procedures are available.

Thanks to the 5-element telescope, a very small focus-to-ceiling-distance can be achieved, enabling installation in rooms with low ceiling heights.

Minimal force has to be exerted for positioning by hand. The support can still be moved manually in the case of a power failure to release the patient.

The very compact design enables low-cost installation. Together with ACSS (Automatic Cassette Size Sensing), motorized vertical movement is available, giving you system control at your fingertips.



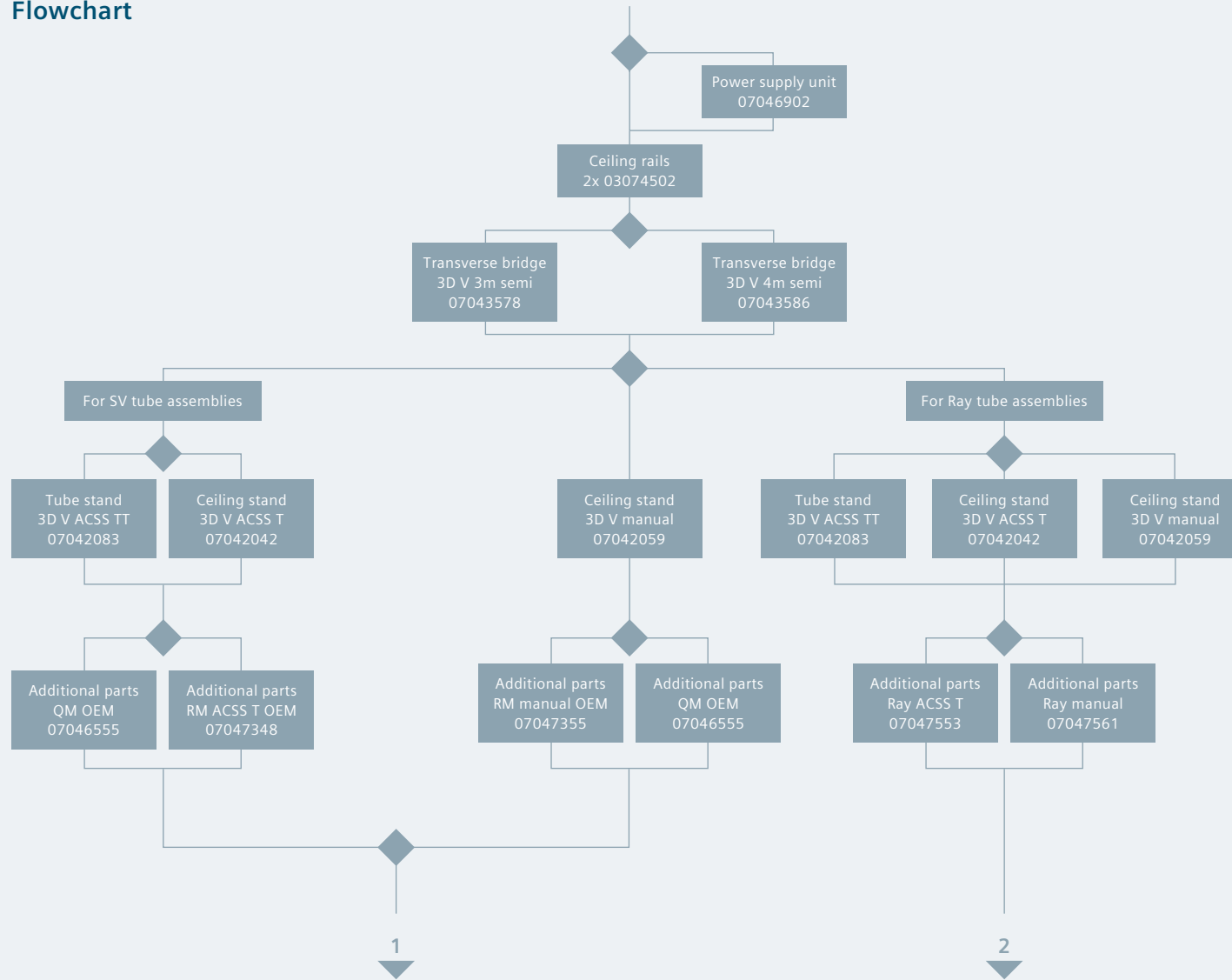
Options and accessories

	Manual	ACSS T	ACSS TT
4.38 m long transverse track	x	x	x
Extension of longitudinal rails	x	x	x
Telescopic extension, 20 cm	x	x	x
Manual collimator ML01 II eL	x	–	–
Automatic collimator AL02 II eL	–	x	x
X-ray tube assembly	x	x	x

Configurations

	Manual	ACSS T	ACSS TT
Prepared for tilting technique for long-leg and full-spine	–	–	x
Automatic Cassette Size Sensing (ACSS)	–	x	x
Vertical motorized tracking of a wall or table Bucky	–	x	x
Electromagnetic brake for telescopic lift, transverse track	x	x	x
3 m long transverse track	x	x	x
Vertical SID acquisition	x	x	x
Integrated lock function, locks at any position along the ceiling track	x	x	x
Center-position catch for rotational axis		manual	motorized
Telescope carriage with automatic stop at SID 115 cm	x	x	x
Touch user interface for stand and generator control	x	x	x
CAN interface	x	x	x
24 m cable set for tube and collimator	x	x	x

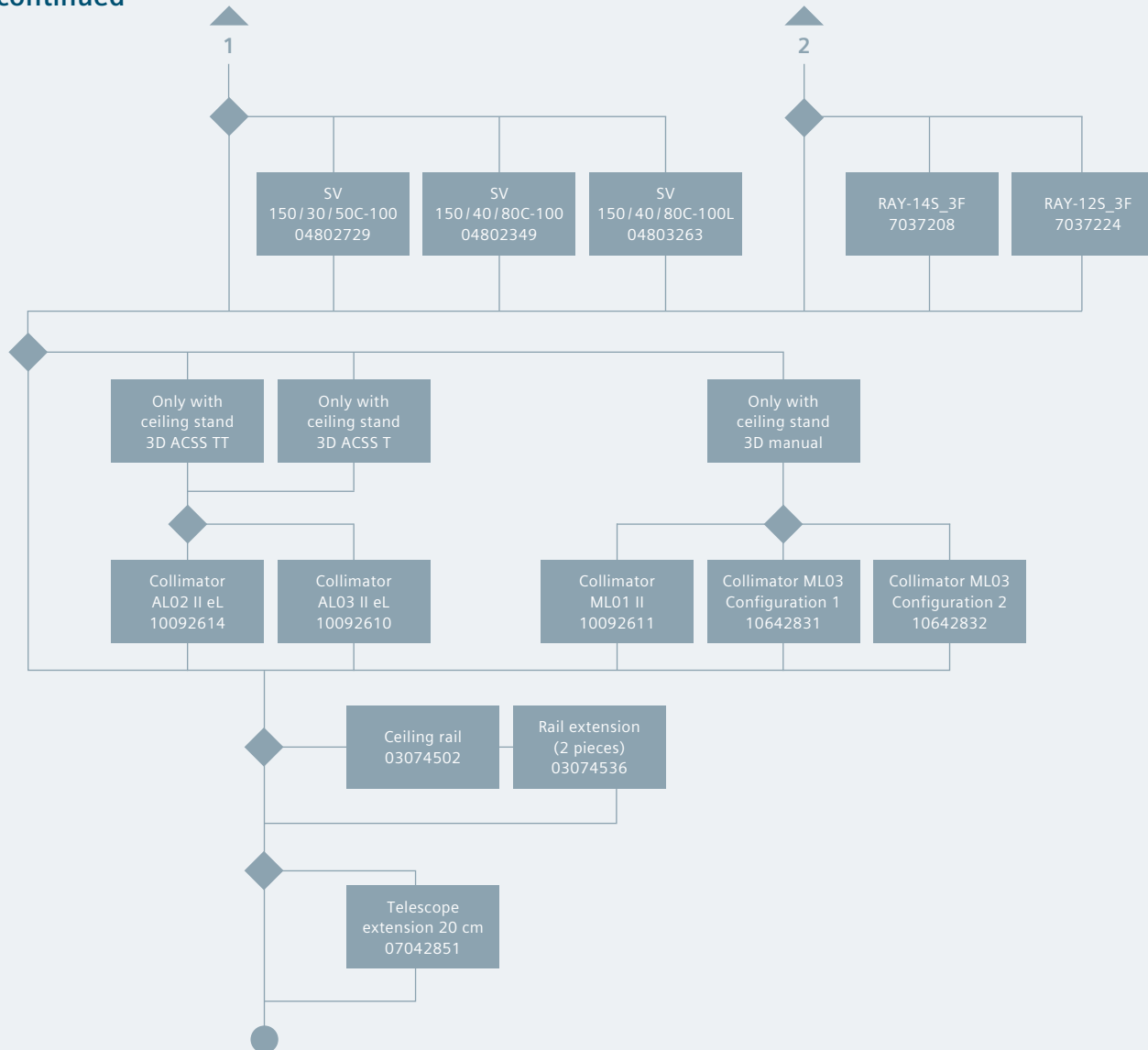
Flowchart



Tailor your
configuration
to your
specific needs



Flowchart continued



This document is not considered to be a contractual specification. Kindly contact Siemens Healthcare GmbH prior to using this information for equipment design.

These components and configurations are not finished medical devices. Compliance with all laws and regulations that are applicable to finished medical devices are the responsibility of the manufacturer of the finished medical device.

The information in this document contains general descriptions of the technical options available, which do not always have to be present in individual cases. The required features should therefore be specified in each individual case at the time of closing the contract.

The components are labeled as "Manufactured by Siemens". However, the buyer shall not market the components using the "Siemens" brand name and/or trademark. The buyer may integrate

these components into a system using its own brands and labels. The product names and/or brands referred to are the property of their respective trademark holders.

This document shall not be made available to healthcare professionals or to the general public.

The Siemens Healthcare Business Line Components and Vacuum Technology is ISO 9001 and ISO 13485 certified, manufactures in accordance with the Quality System Regulations (QSR) as defined by the U.S. Food and Drug Administration (FDA), and endeavors to comply with legal requirements concerning the environmental compatibility of its products.

The reproduction, transmission or use of this document or its contents is not permitted without express written consent. Offenders will be liable for damages.

Siemens reserves the right to modify the design and specifications contained herein without prior notice. All rights reserved, particularly in connection with patent applications or registrations of utility model or design.

Local Contact Information

Siemens Healthcare GmbH
Components and Vacuum Technology
Doris-Ruppenstein-Str. 4
91052 Erlangen
Germany
Phone: +49 9131 84-6911
siemens.com/oemproducts

Siemens Healthcare Headquarters

Siemens Healthcare GmbH
Henkestr. 127
91052 Erlangen
Germany
Phone: +49 9131 84-0
siemens.com/healthcare

Legal Manufacturer

Siemens Healthcare GmbH
Henkestr. 127
91052 Erlangen
Germany