

ML01 II

X-ray Collimator

Data Sheet

Description

The purpose of the multileaf collimator is to collimate exactly the radiation beam emerging from the X-ray tube assembly onto the size of the object to be displayed.

Collimation is manual with the aid of the field light localizer and/or scale. A line light localizer is available for centering the Bucky.

The collimator is prepared for installation of a DAP chamber inside the housing.

Features and customer benefits

- LED field light localizer for high brightness and extended lifetime
- Shutters close to the source reduce extra-focal radiation
- Additional prefilters integrated for manual operation: 0.1, 0.2 and 0.3 mm Cu
- Scales for four source-film distances: 100, 115, 150, 180 cm or 40, 45, 59, 72 inch
- Rotation by $\pm 45^\circ$ with a stop in 0° position by swiveling flange
- Tape measure integrated in a user friendly way in the collimator
- Two foam protected accessory rails facilitate attachment of additional devices and further filters

Customizing

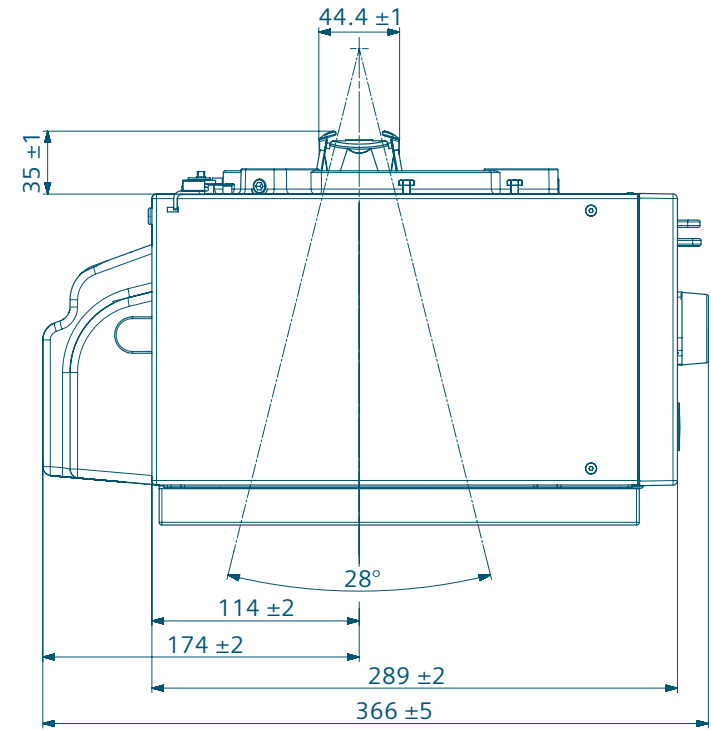
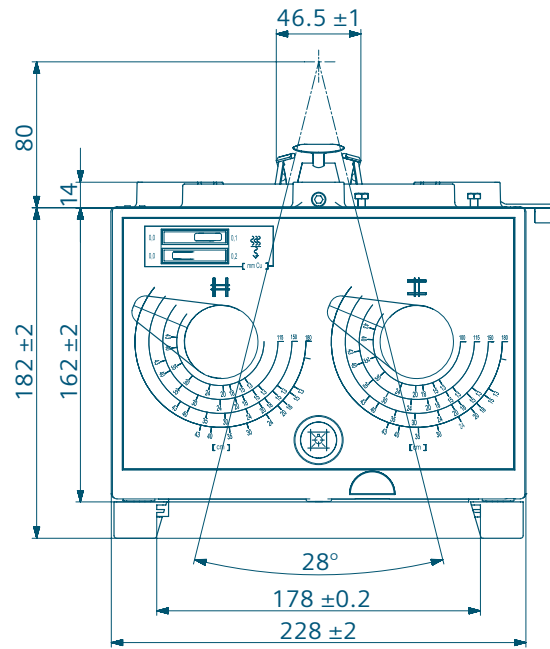
In order to fulfill your particular requirements, we also provide you with customized versions of this product.

Technical Data		
Dimensions (L x W x H)	366 mm x 228 mm x 182 mm	
Weight	10.5 kg \pm 1 kg	
Aperture angle	28°/28°	
Collimator rotation range	$\pm 45^\circ$	
Maximum field size	48 cm x 48 cm	at SID ¹ = 100 cm
Minimum field size	3 cm x 3 cm	at SID ¹ = 100 cm
Protection class	Class I	IEC 60601-1
Operating temperature	10 \leq T \leq 40 °C	
Transport and storage temperature	- 40 \leq T \leq 70 °C	
Inherent filtration	1.0 mm +0.25/-0 mm Al at 70 kV	EN 60601-1-3
Power supply	24 V \pm 10% DC max. 3 A DC	
Leakage radiation	< 0.5 mGy/h ²	EN 60601-1-3
Laser Product	Laser Class 2	IEC 60825-1

¹ SID = Source-Image-Distance

² At 150 kV/3 mA, at 1 m distance from tube assembly

ML01 II X-ray Collimator



Creating values is our passion.
Efficiency is our nature.
Partnership is our way.

This document is not considered to be a contractual specification. Kindly contact Siemens Healthcare GmbH prior to using this information for equipment design.

These components and configurations are not finished medical devices. Compliance with all laws and regulations that are applicable to finished medical devices are the responsibility of the manufacturer of the finished medical device.

The information in this document contains general descriptions of the technical options available, which do not always have to be present in individual cases. The required features should therefore be specified in each individual case at the time of closing the contract.

The components are labeled as "Manufactured by Siemens". However, the buyer shall not market the components using the "Siemens" brand name and/or trademark. The buyer may integrate

these components into a system using its own brands and labels. The product names and/or brands referred to are the property of their respective trademark holders.

This document shall not be made available to healthcare professionals or to the general public.

The Siemens Healthcare Business Unit Components & Vacuum Technology is ISO 9001 and ISO 13485 certified, manufactures in accordance with the Quality System Regulations (QSR) as defined by the U.S. Food and Drug Administration (FDA) and endeavors to comply with legal requirements concerning the environmental compatibility of its products.

The reproduction, transmission or use of this document or its contents is not permitted without express written consent. Offenders will be liable for damages.

Siemens reserves the right to modify the design and specifications contained herein without prior notice. All rights reserved, particularly in connection with patent applications or registrations of utility model or design.

Local Contact Information

Siemens Healthcare GmbH
Components and Vacuum Technology
Doris-Ruppenstein-Str. 4
91052 Erlangen
Germany
Phone: +49 9131 84-6911
siemens.com/oemproducts

Siemens Healthcare Headquarters

Siemens Healthcare GmbH
Henkestr. 127
91052 Erlangen
Germany
Phone: +49 9131 84-0
siemens.com/healthcare

Legal Manufacturer

Siemens Healthcare GmbH
Henkestr. 127
91052 Erlangen
Germany